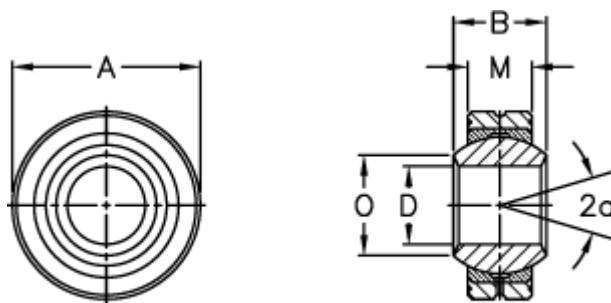


Article number: 03401016

Description: Fluro Rod end GLXS 16

## Measures



Str. 3-4 uden smørerille

A	= 38	Static load C0 (kN) = 128.5
a (degrees)	= 15	Weight = 115
B	= 21	
D	= 16	
Dynamic load C (kN)	= 21.5	
M	= 15	
O	= 19.3	
Permissible rpm	= 660	